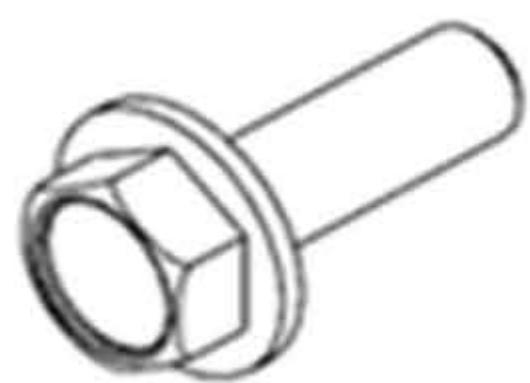


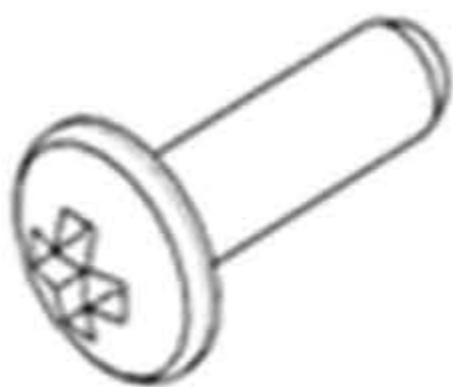
备注：螺钉等 示意图：



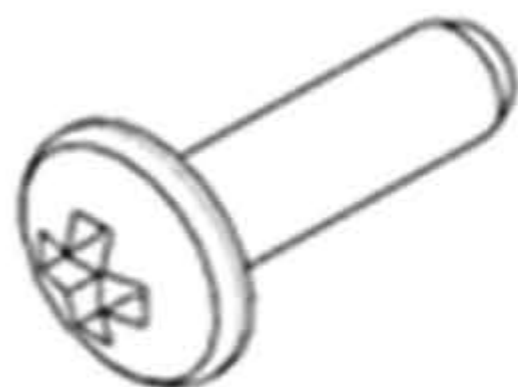
1-15



1-16



1-17



1-18



1-19

2-10

2-30

2-31

2-32

2-15



2-23



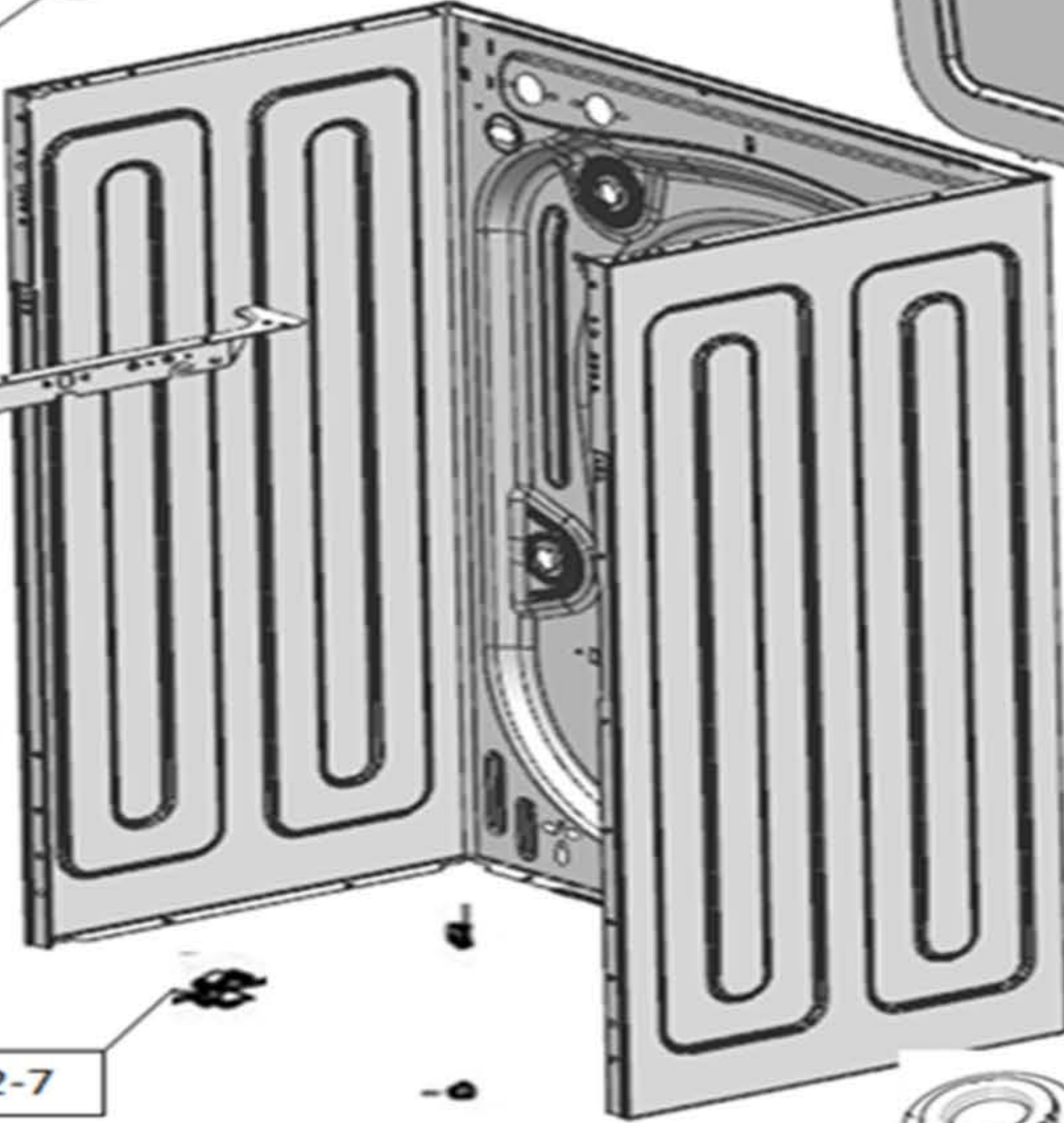
2-17



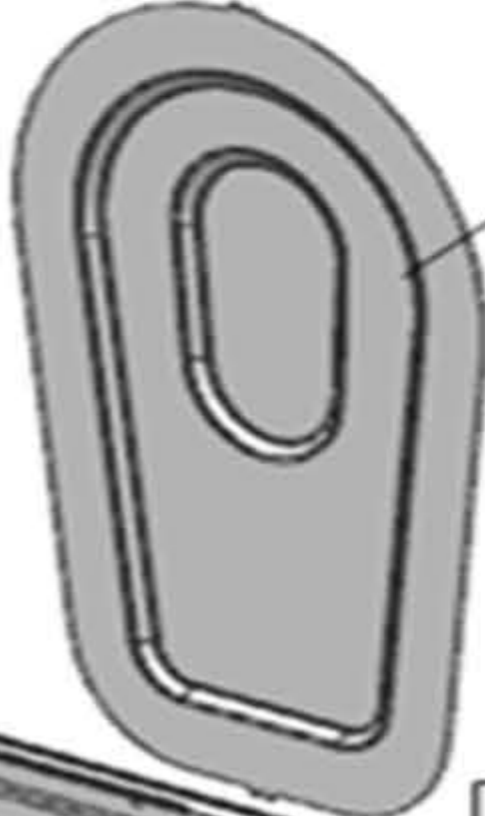
2-11



2-24



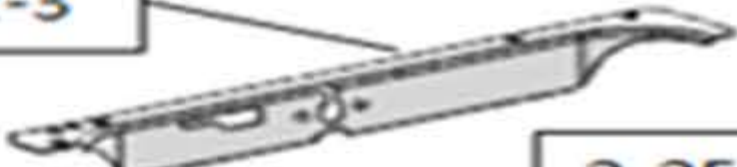
2-21



2-18

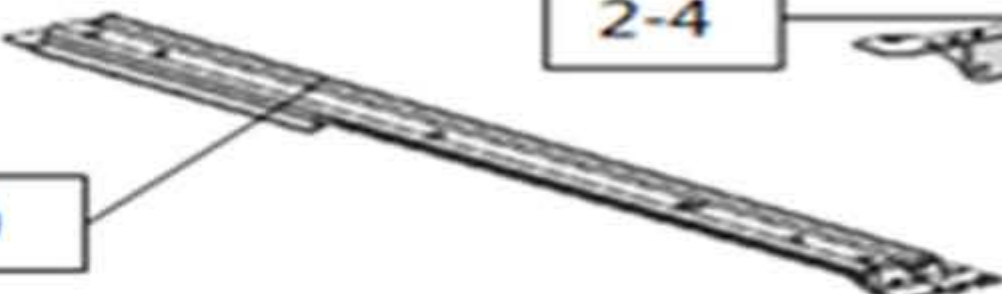


2-3



2-25

2-4



2-22



2-8



2-20

2-9



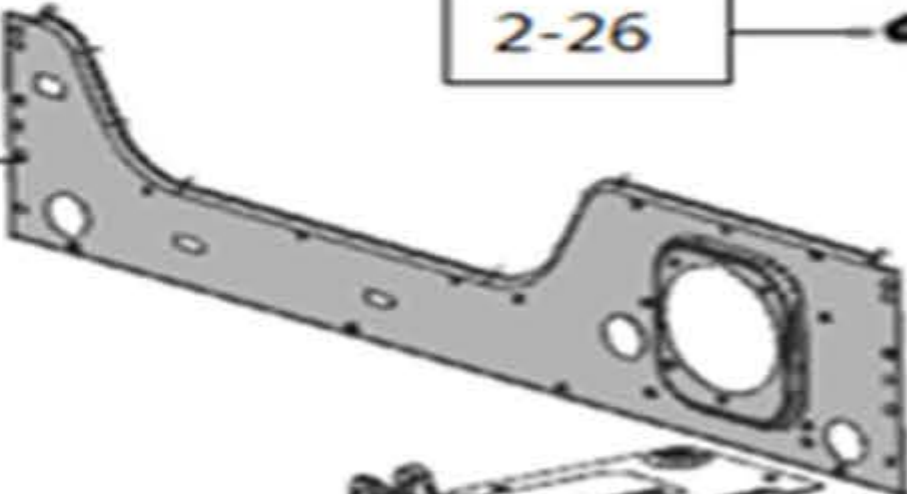
2-1



2-13



2-2



2-26



2-19



2-5



2-7



2-16



2-6

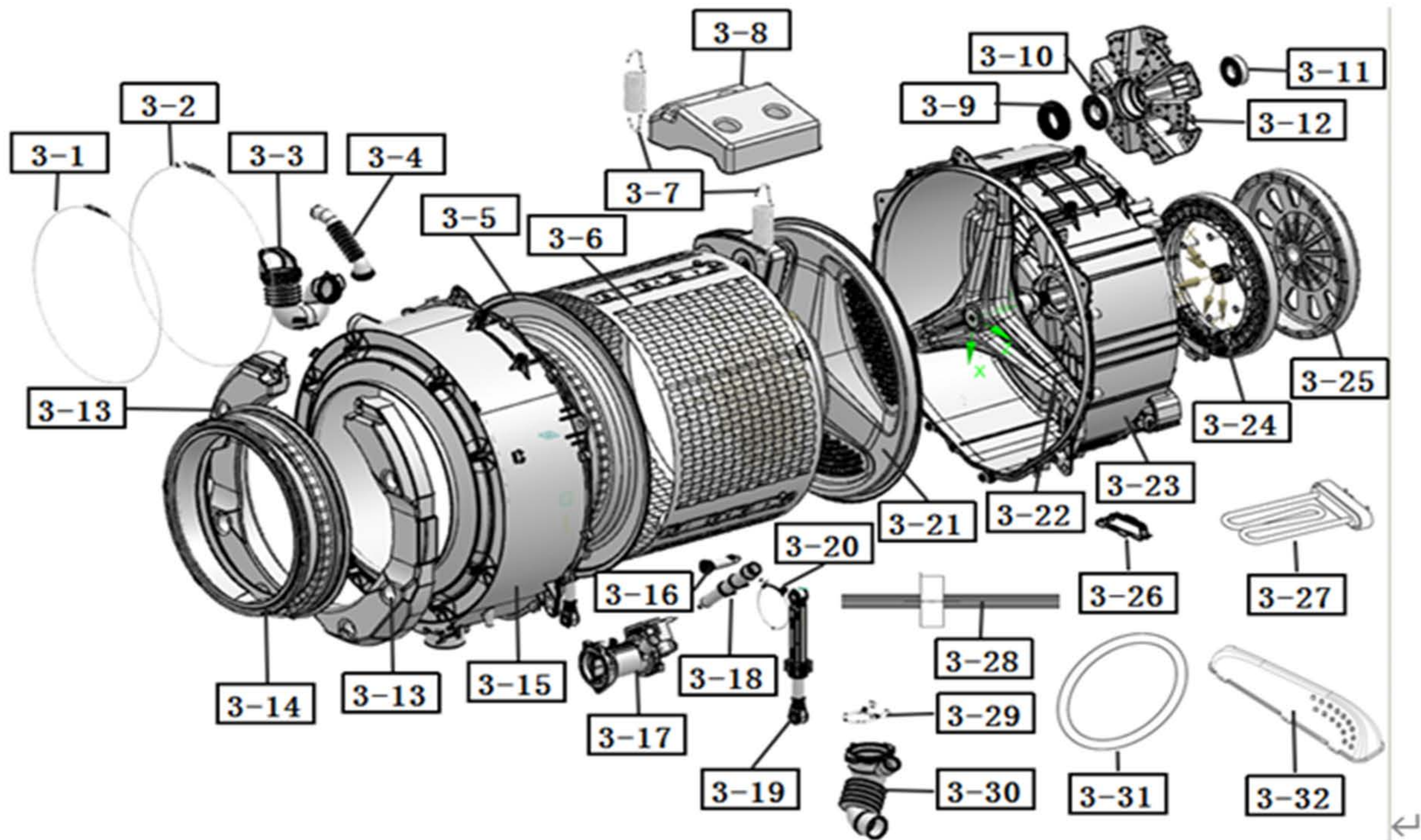


2-12



2-27

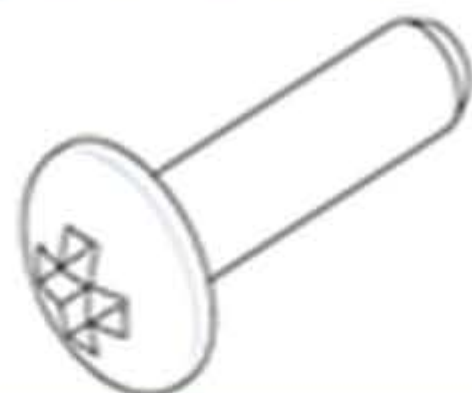




备注：螺钉、夹箍示意图



3-33



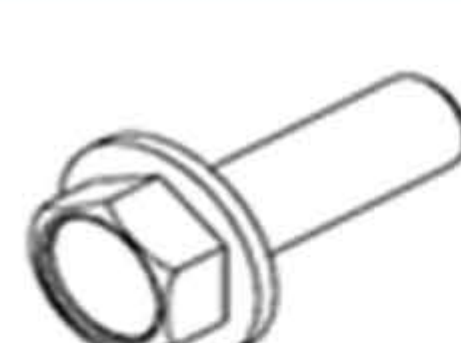
3-34



3-35



3-36



3-37



3-38



3-39

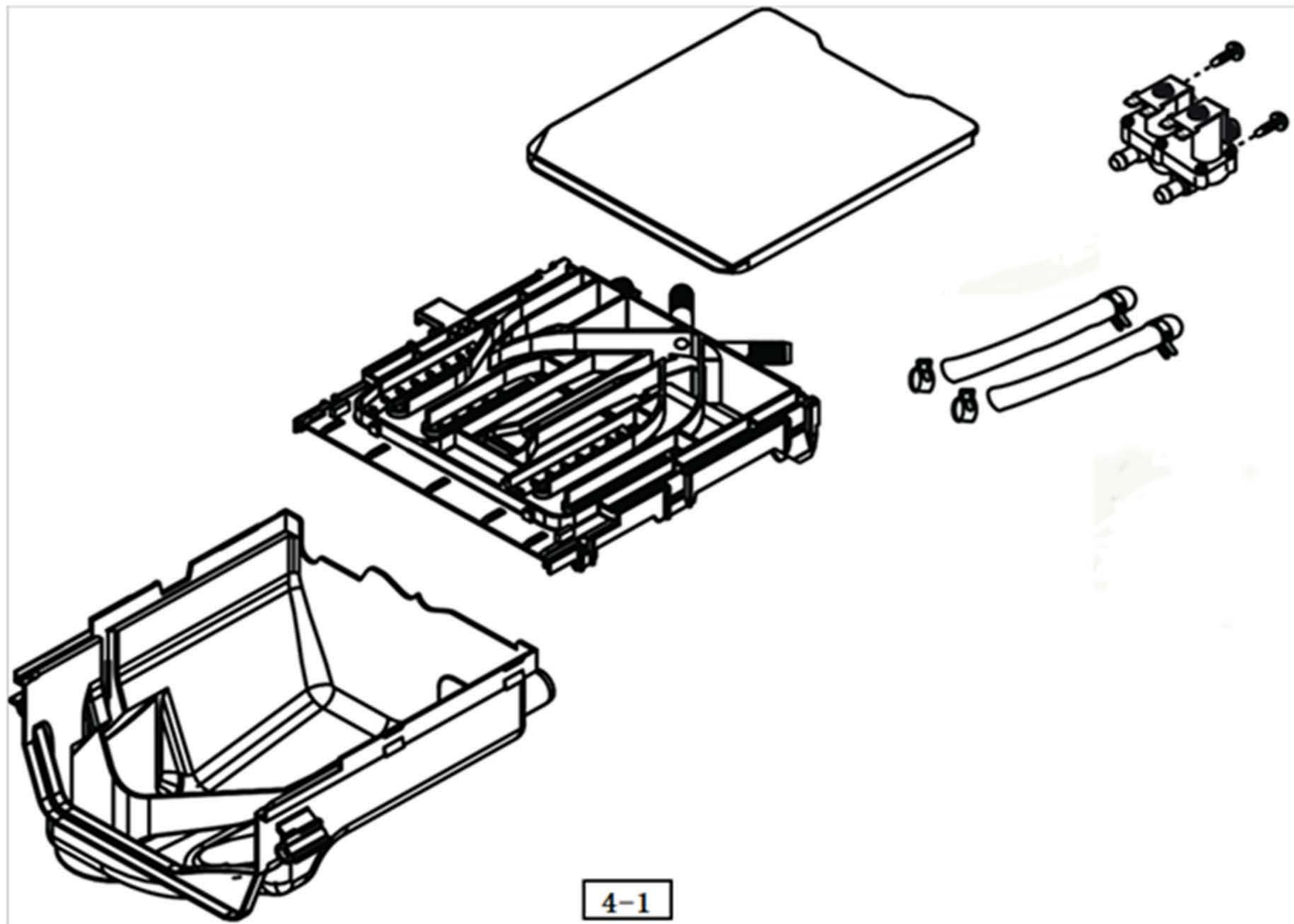


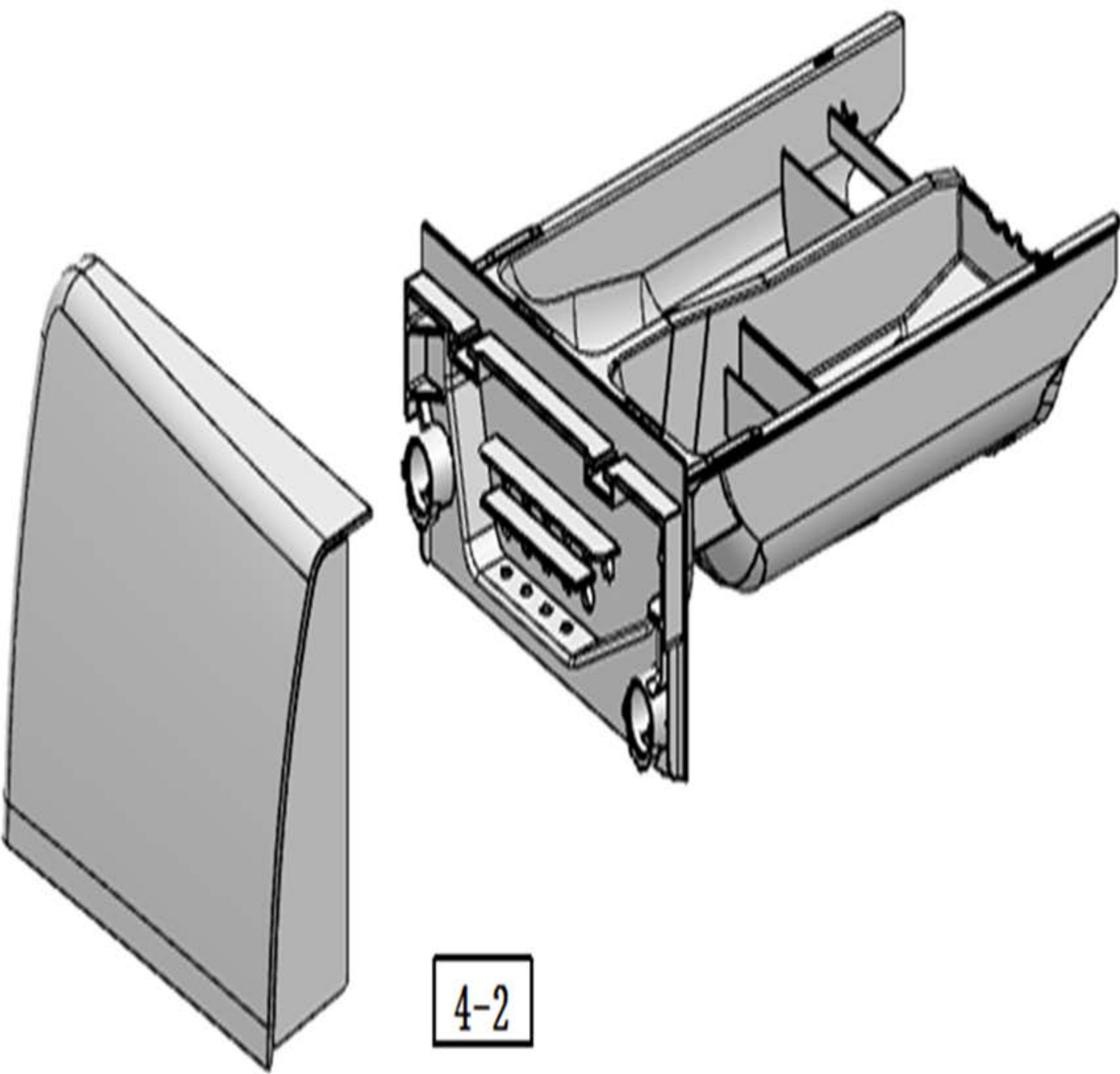
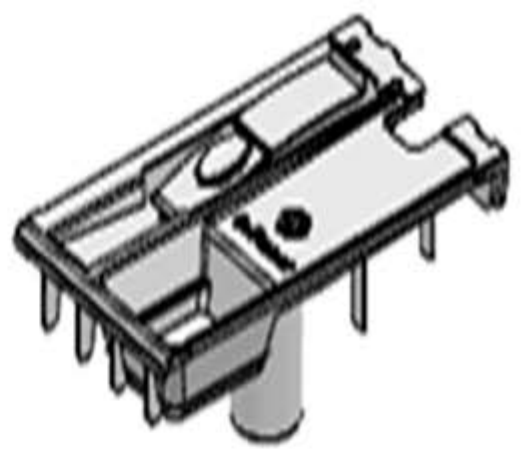
3-40



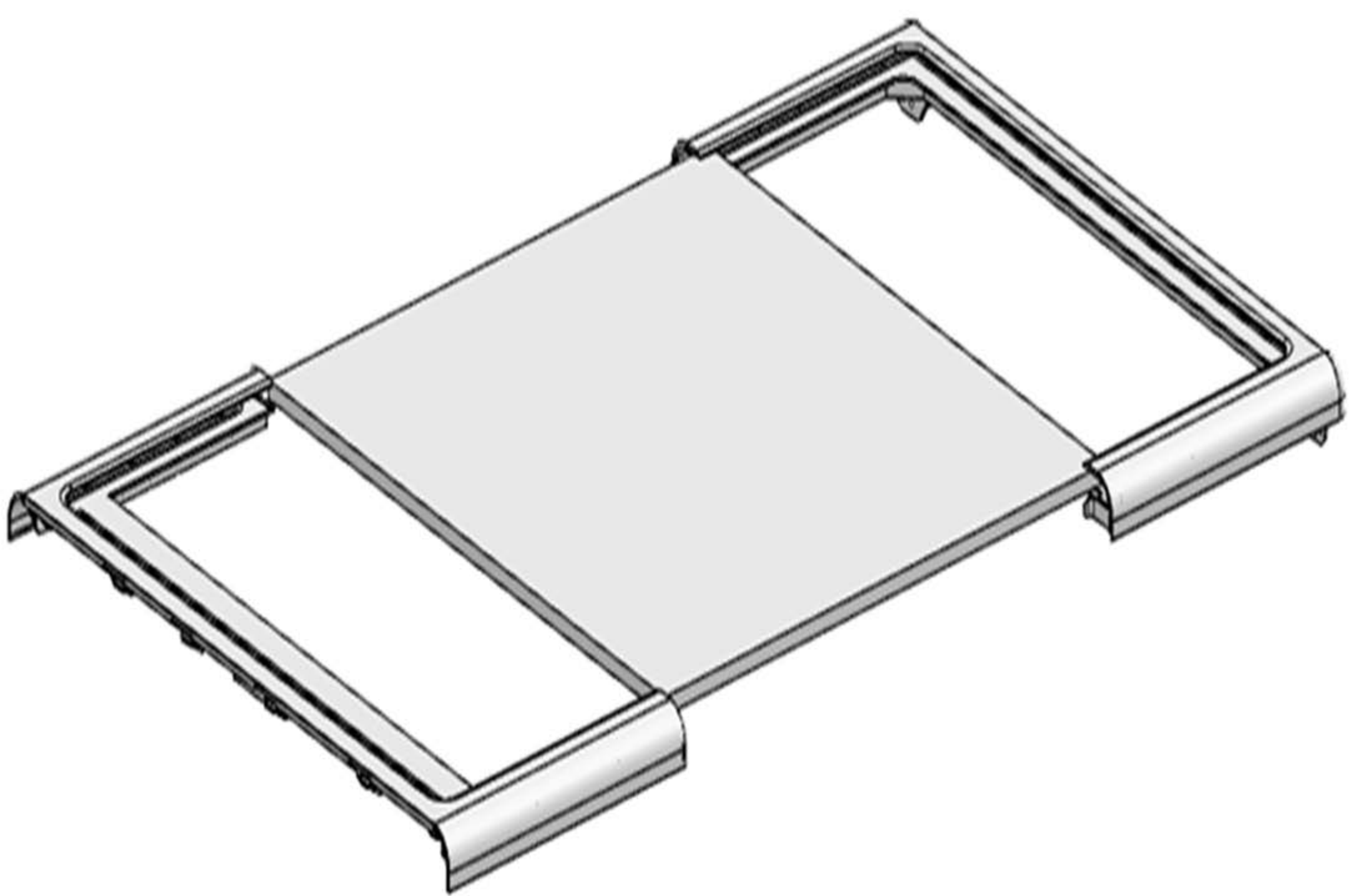
3-41

(4)、Dispenser assembly/Drawer panel assembly/←

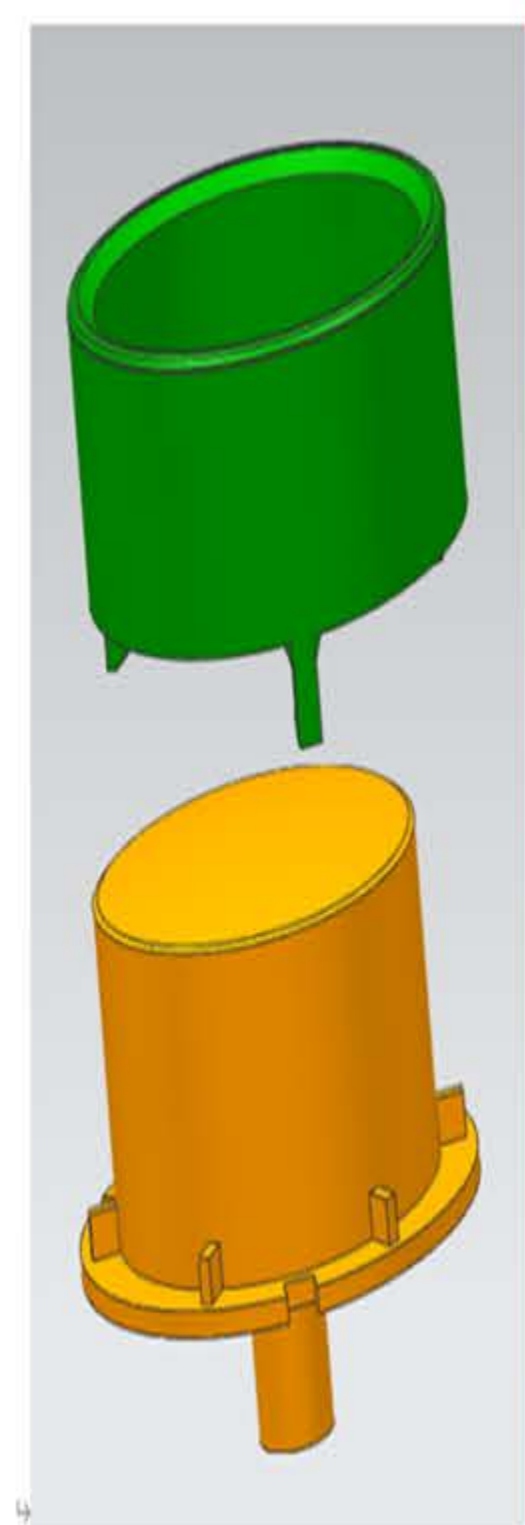




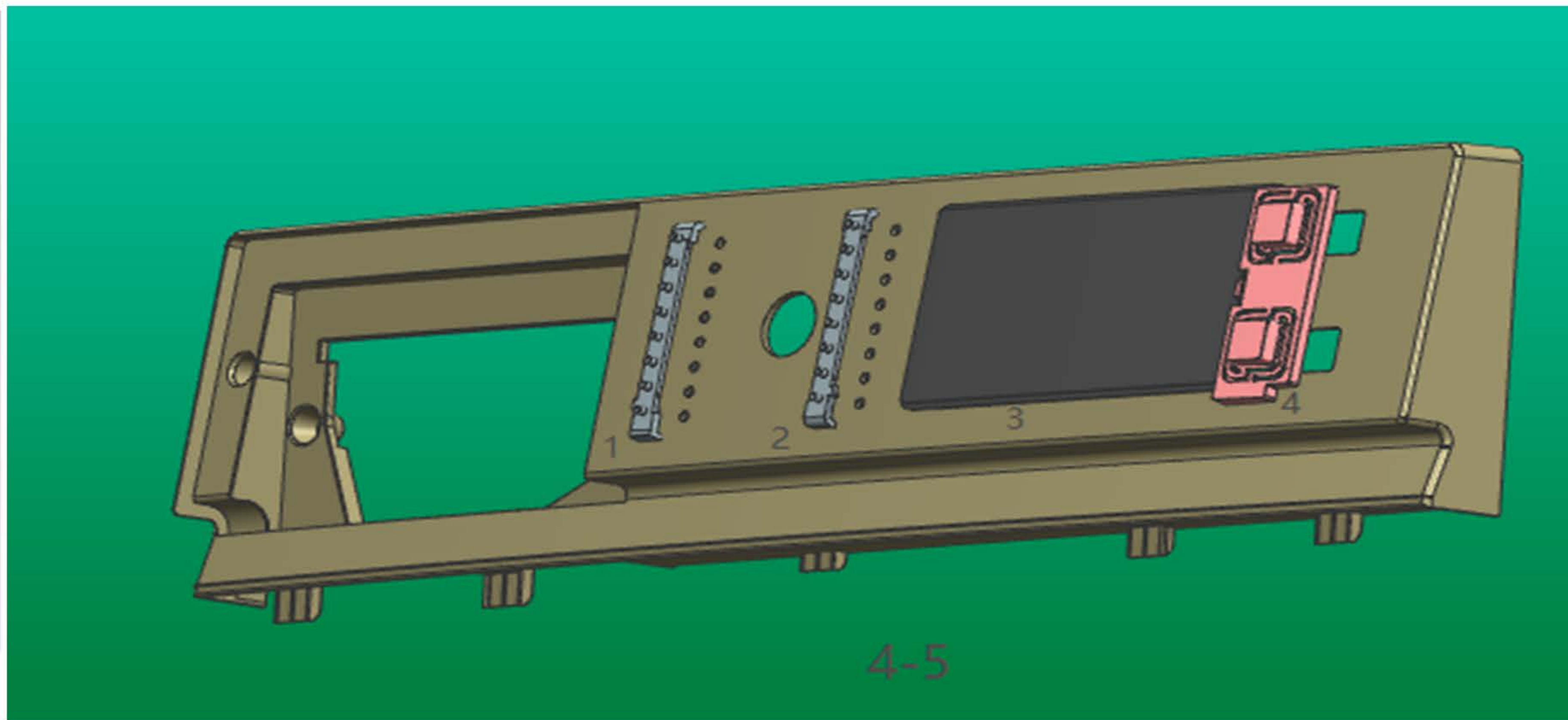
4-2

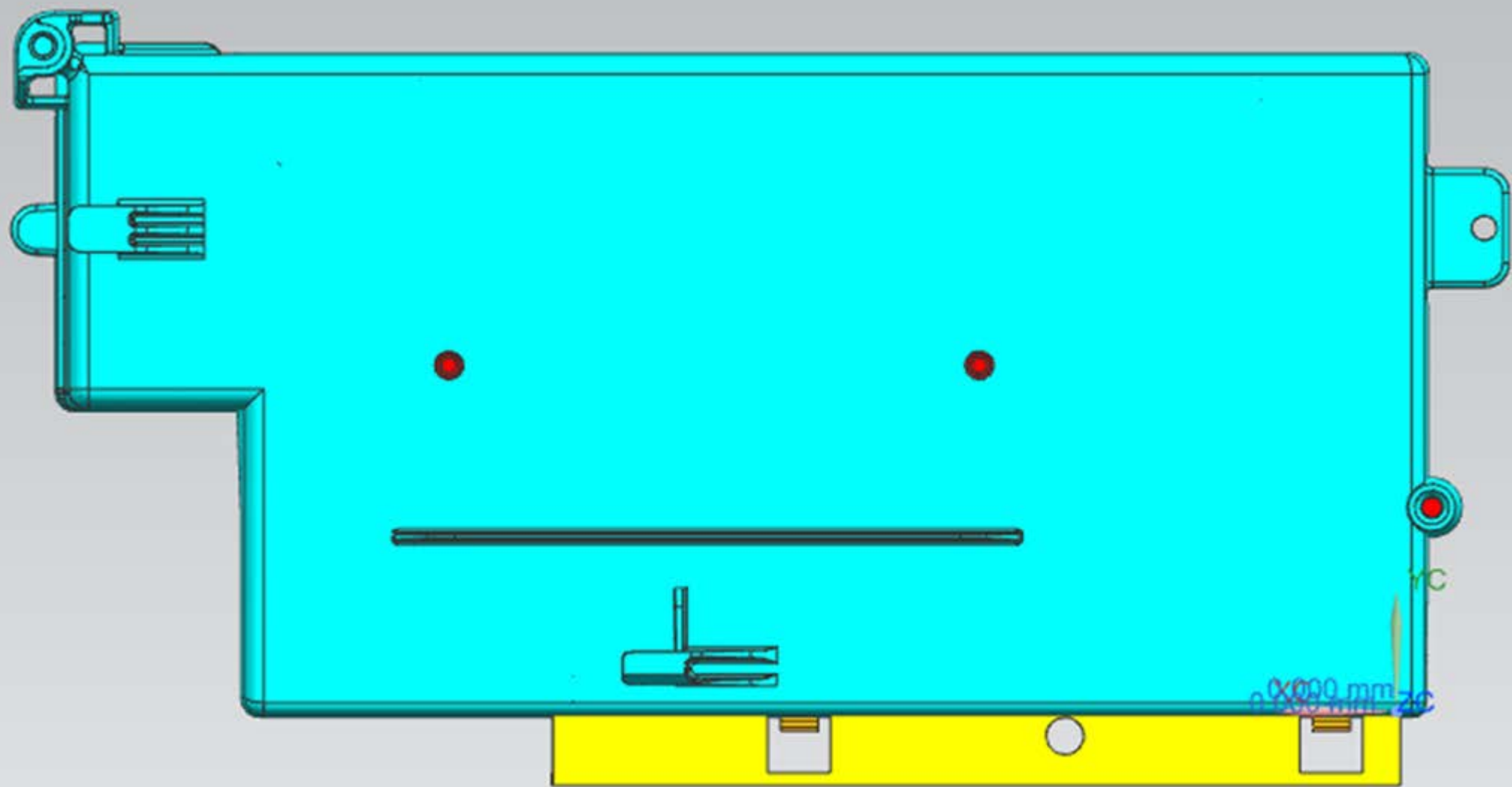


4-3



44





4-6